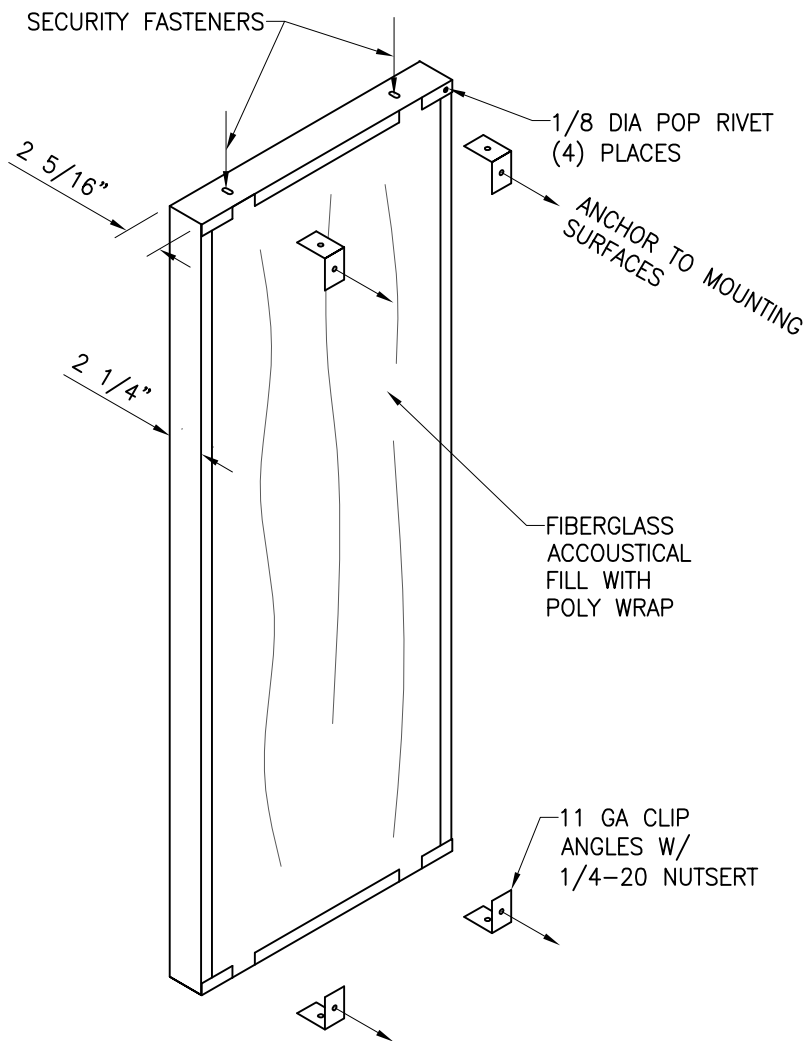
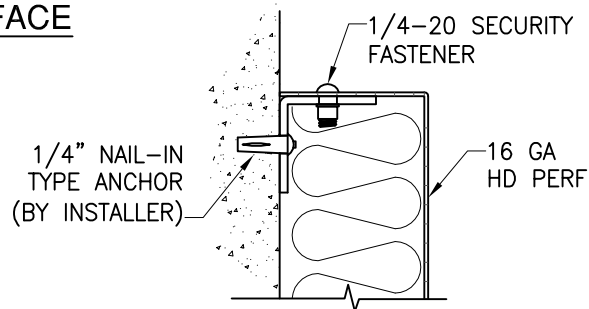


FRONT FACE



BACK FACE



ECKEL

NOISE CONTROL TECHNOLOGIES

ECKEL INDUSTRIES INC. ACOUSTIC DIVISION

155 Fawcett Street Cambridge, Massachusetts 02138 (617) 491-3221

PROPRIETARY

THIS DOCUMENT CONTAINS PROPRIETARY INFORMATION AND IS SUBMITTED SUBJECT TO THE EXPRESS CONDITION THAT THE INFORMATION CONTAINED HEREIN SHALL BE USED IN NO WAY TO THE DETRIMENT OF THE INTERESTS OF ECKEL INDUSTRIES, INC.

ECKOUSTICAL CORRECTONAL PANEL

ECP PANELS